



Engineered
Made
In Korea



ORIGIN

Catalogue
English



ORIGIN

ORIGINPhilosophy

The entire system consisting of the ISA-7000, OP-Controller, and Electronic Gun embodies ORIGIN's forward-thinking vision.

Each product is individually optimized, and when combined into a system, it unleashes the full potential of the products.

The quality of the products is reliable, the power is outstanding, and the operation is easy.

Our Cooperate Goals

We aim to collaborate with semiconductor and optical equipment companies, mobile phone manufacturers, automobile companies, defense industries, and R&D-focused technology companies for an extended period, working together as a trusted partner to provide high-quality products at reasonable prices. The development of new, innovative technologies for the improvement of products plays a key role.

The promise

We continuously face new demands, tread unprecedented paths, and thereby expand the realm of possibilities.

Our passion stems from a love for technology and creativity.

We strive for unwavering technical expertise, maximum performance, excellent quality, and a quest for innovation.

Our goal is to be the inherent ORIGIN that competitors cannot catch up with.

All ORIGIN products are designed in Korea.

Our latest technologies ensure the highest quality for all products.



What we provide

ORIGIN offers innovative products that excel in product quality, performance, and technical expertise in the PVD (Physical Vapor Deposition) industry. Our products function as perfectly integrated tools for mobile phone manufacturers, automobile companies, defense contractors, and R&D-focused technology companies. We want to support you in all your applications, and to offer you not only sophisticated products but also a personal point of contact for questions, advice, and support.

The appearance and operation of ORIGIN products are designed to be highly intuitive and visually appealing, making it convenient for operators to work with the products. This allows operators to focus on the production of their desired items, establishing a seamless connection between the operator and the product.



Bang Gi Seon
- Owner -





Table of content

INDEX

Philosophy	02-03	Electron Gun Series 180° AN-9010	14-14
Table of content	04-05	Electron Gun Series 180° AN-9000	15-15
History	06-07	Electron Gun Series 90° AN-9101	16-16
Electron Gun Power Supply ISA-7000	08-09	Electron Gun Related Parts	17-17
Electron Gun Series	10-11	E-Beam Source Wiring Diagram	18-19
Electron Gun Series 270° AN-9030	12-12	Ion Gun Power Supply ISA-8000	20-21
Electron Gun Series 270° AN-9020	13-13	Ion Gun AN-9500	22-22





Ion Gun Related Parts	23-23
Ion-Beam Source Wiring Diagram	24-25
PVD Equipment Series	26-27
APPLIED	28-29
About us	30-31

* “E-beam source” refers to a set that includes an E-Gun, an E-Gun power supply, a Crucible, and a Crucible liner.

* “Ion-beam source” refers to a set that includes an Ion-Gun and an Ion-Gun Power supply.



ORIGIN

Over 30 years of experience

ORIGIN was established in 1992 and has been a leading representative in the research, development, and production of innovative PVD systems, power supplies, and electron guns. We have been considering systems from the early stages, and in 2003, we successfully developed and produced the first Electron Gun Power Supply (ISA-7000) in South Korea. In 2004, we achieved the remarkable accomplishment of supplying ORIGIN products in their entirety to Motorola's mobile phone production facility in China. Furthermore, in April 2012, we accomplished the remarkable feat of delivering equipment to Samsung Electronics' 1st factory in Vietnam.

Mar 1992	PVD E-beam source	- For the first time in Korea -
May 1993	Development of a heavy water pipe inspection system for unmanned reactor construction	
Jan 1994	Multi-indicator development (Analog method Model : L-250)	
Jul 1995	Linear sensor development LVDT (Analog method Model: SAN-5000)	- For the first time in Korea -
Apr 1996	Angle sensor development (Gravity standard equation)	- For the first time in Korea -
Nov 1997	Development of multi-Input high-speed indicators (Digital Model: 2500)	- For the first time in the world -
May 1998	Acceleration sensor (Semiconductor-type Model: SSA-3000)	- For the first time in Korea -
Sep 1999	Acceleration sensor (Piezo-type Model: SMN-400)	- For the first time in Korea -
Oct 2000	Acceleration controller (Analog-type Model: CA-200)	- For the first time in Korea -
Nov 2001	Short circuit breaker test machine (Model: MSN-100)	- For the first time in Korea -



Jun 2002	Short circuit breaker test machine (Model: MSN-300)	- For the first time in Korea -
Nov 2002	Multi-input high-speed indicator (Digital type Model: 2500-H)	- The world's largest range indication is possible -
Nov 2003	New model PVD E-beam source (Model: ISA-7000, Electron Gun series)	- For the first time in Korea -
Dec 2003	New model Ion-beam source (Model: ISA-8000, AN-9500)	- For the first time in Korea -
Nov 2004	Motor high speed inverter (for Medical) (Model: CSN-10)	- For the first time in Korea -
Jan 2005	E-Gun 270° 10Kw (Model: AN-9040)	- For the first time in Korea -
Feb 2008	PVD equipment 1250 Ø released	
Apr 2008	E-Gun 270° 16Kw (Model: AN-9020)	- For the first time in Korea -
Mar 2009	High-performance E-Gun 270° 10Kw (Model: AN-9030)	- For the first time in Korea -
May 2009	Microphone manufacturing equipment (Model: ISA-6100)	- For the first time in Korea -
Dec 2013	High performance E-Gun 180° 10Kw (Model: AN-9010)	- For the first time in Korea -
Jul 2014	Full digital E-beam power supply	- It's currently in progress -
Jul 2014	Full digital end holl type Ion-beam power supply	- It's currently in progress -
Jan 2022	Electron Flat Gun (The emitted beam has a flat shape)	- For the first time in Korea -



Electron Gun Power Supply ISA-7000

Features

The ISA-7000 model, the electron gun power supply, is a high-performance, high-voltage product. The configuration consists of a body, an operating controller, an extension console, remote controller and an electron gun.

Reliable power supply to the electron gun allows you to produce high-quality products.

- * ORIGIN's product, ISA-7000, can be custom-produced upon request.
- * We cannot guarantee the product's performance when used in combination with products from other manufacturers.
- * Some layouts may not be installable, so please inquire before placing an order.
- * It can be used in conjunction with ORIGIN's series of electron guns.
- * Crucible and electron guns are sold separately and can be used together.



Power supply unit



Operation controller



Remote controller

Arc suppressor
* Built-in



Technical Specifications

Power (Energy)	10KW	20KW
Accuracy	5% FS	5% FS
Digital communication	Option	Option
Auto program sweep	Option	Option
Power (3-Phase 220Vac 50Hz/60Hz 10%)	15Kva	25Kva
Output emission current	0 to -1000mA	0 to -2000mA
Output accelerating voltage	-3000 to -10000Vdc	-3000 to -10000Vdc
Output filament current	0 to 30A	0 to 50A
Ripple	4% or Less at maximum	4% or Less at maximum
Beam deflection current	0 to 2.5A	0 to 2.5A
Beam scanning current	60Hz (X axis), 600Hz (Y axis), Output 2Adc	60Hz (X axis), 600Hz (Y axis), Output 2Adc
Operation controller switch	ACC-ON, FIL-ON, ACC/FIL-OFF, INT/EXT	ACC-ON, FIL-ON, ACC/FIL-OFF, INT/EXT
Operation controller (LED)	Above switch, Alarm (4 points), Interlock (5 point)	Above switch, Alarm (4 points), Interlock (5 point)
Operation controller function	Accelerating voltage, Deflection current, Emission current, X-Y position and X-Y scanning	Accelerating voltage, Deflection current, Emission current, X-Y position and X-Y scanning
Operation controller- emission current meter	0 to -100mA, 0 to -600mA, 0 to -1000mA / 3 Ranges	0 to -100mA, 0 to -600mA, 0 to -2000mA / 3 Ranges
Operation controller- external signal input	14 point	14 point
Operation controller- external signal output	9 point	9 point
Operation controller dimensions (Unit: mm)	483 (W) X 350 (D) X 150 (H)	483 (W) X 350 (D) X 150 (H)
Power supply main dimensions (Unit: mm)	580 (W) X 860 (D) X 1415 (H)	580 (W) X 860 (D) X 1700 (H)
Ground	Lees than ground resistantce 10 ohm	Lees than ground resistantce 10 ohm
Vibration in the workspace	Approximately X,Y,Z < 0.2G Less than	Approximately X,Y,Z < 0.2G Less than
Operating temperature & Humidity	17 to 25°C, 20 to 70% RH	17 to 25°C, 20 to 70% RH
Weight	Approximately 380Kg	Approximately 470Kg



Electron Gun Series

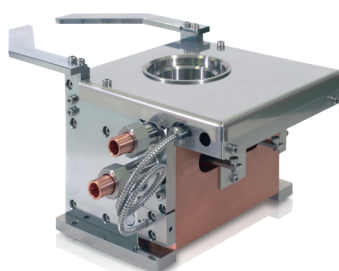
Features

Unlike other companies, ORIGIN's Electron Gun is a high-quality product using the best raw materials. It is a separate product of electron gun and crucible.

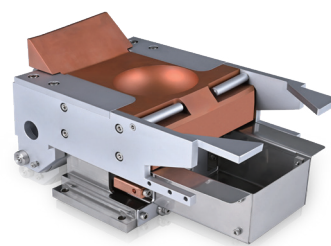
It is suitable for melting powder or material and is used for test equipment, vacuum deposition equipment, semiconductor equipment, optical equipment, etc.

Product lineup

AN-9030



AN-9020



	270°	
Application	Oxide films & Metal films	Metal films
Maximum output power	10KW	16KW
Accelerating voltage	-3000 to -10000Vdc	-8000Vdc
Variable accelerating voltage	Available	N/A
Beam deflection adjust	Electronmagnet & Deflaction adjust bar	Deflaction adjust bar
Filament form	0.55 Dia, 0.8 Dia. U- shape	0.55 Dia, 0.8 Dia. Spiral- shape
Filament assembly exchange position	Top mount	Side mount
Beam sweeping range	± 30	± 30
Beam position movement range	± 30	± 30
Suppression of reflected electrons	Built-in	N/A
Arcing prevent structure	Built-in	Built-in
Page	12	13

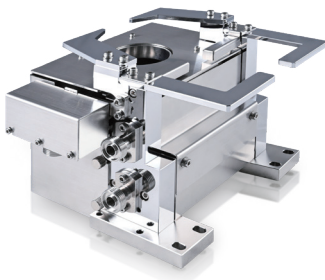
* Can be used in conjunction with ORIGIN's ISA-7000 product.

* The configuration consists of a single electron gun, and the crucible is sold separately.

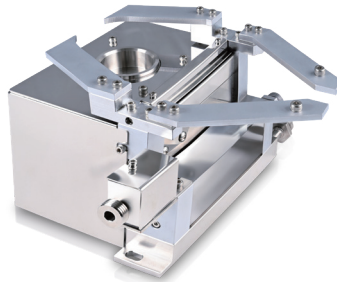
* Some layouts may not be installable, so please inquire before placing an order.

* We cannot guarantee the product's performance when used in combination with products from other manufacturers.

AN-9010



AN-9000



AN-9101



180°		90°
Oxide films & Metal films	Oxide films & Metal films	Flat beam emit & Particle blocking
10KW	10KW	3KW
-3000 to -10000Vdc	-3000 to -15000Vdc	-1000 to -10000Vdc
Available	Available	Available
Electronmagnet	Electronmagnet	Electronmagnet
0.55 Dia, 0.8 Dia. Spiral-shape	0.55Dia, 0.8Dia. Spiral-shape	0.55Dia, 0.8Dia. Straight-shape
Top mount and Side mount	Side mount	Side mount
± 30	± 30	± 50
± 30	± 30	± 50
N/A	N/A	N/A
Built-in	Built-in	Built-in
14	15	16



270°

AN-9030

Bestselling product from the 270° E-Gun series

Long-life filament

U-shape, 0.55 Dia, 0.8 Dia, Long-life

Easy maintenance

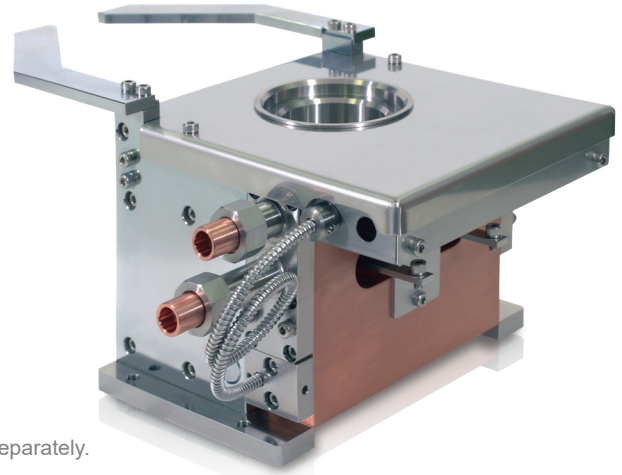
- Easy-to-clean design
- Filament replacement possible from the top
- Filament socket can be detached from the top
- Easy filament replacement

* Can be used in conjunction with ORIGIN's ISA-7000 product.

* The configuration consists of a single electron gun, and the crucible is sold separately.

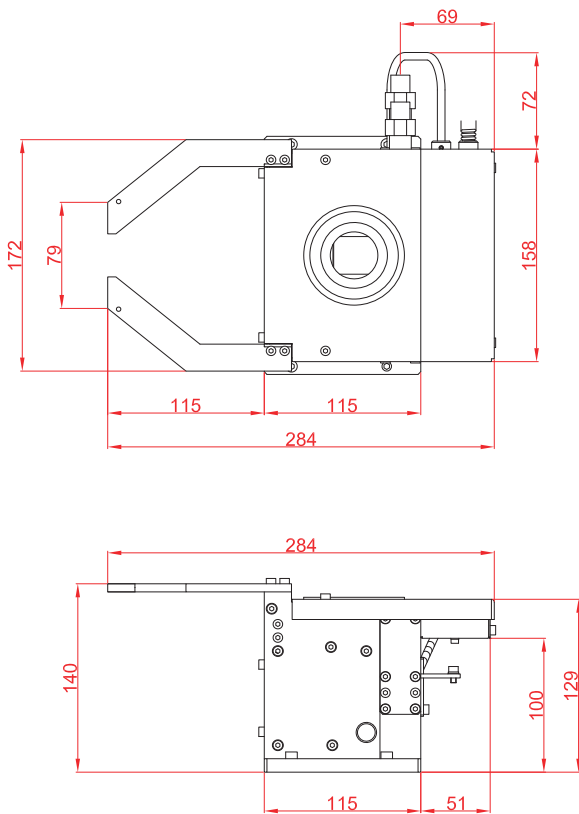
* Some layouts may not be installable, so please inquire before placing an order.

* We cannot guarantee the product's performance when used in combination with products from other manufacturers.



External Dimensions

(Unit: mm)



Technical Specifications

Model	AN-9030
Application	Oxide films & Metal films
Beam deflection angle	270°
Maximum output power	10KW
Accelerating voltage	-3000 to -10000Vdc
Beam deflection adjust	Electronmagnet & Deflection adjust bar
Beam deflection current	0 to 2.5A (±30mm)
Deflection max frequency	5KHz -3dB
Beam scanning current X axis	60Hz (X axis) Max output (10App, ±2A dc)
X axis scanning max frequency	10KHz -3dB
Beam scanning current Y axis	60Hz (Y axis) Max output (10App, ±2A dc)
Y axis scanning max frequency	10KHz -3dB
Operation pressure	2Kg / cm ²
Cooling water flow rate	5 to 8 L/min
Filament current	0 to 30A
Ground	Lees than ground resistance 10 ohm
External dimensions (Unit: mm)	172 (W) X 285 (D) X 144 (H)
Weight	Approximately 14kg

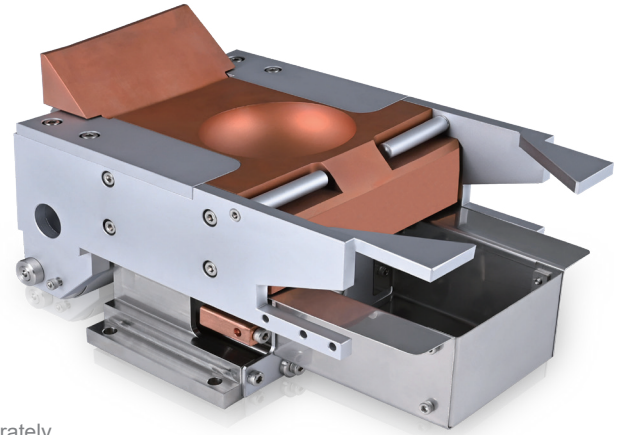


270° AN-9020

The AN-9020 is a 270° electron gun, and even if foreign substances or particles fall into the filament during deposition, there is minimal structural interference, and it minimizes thermal interference on the deposition material.

Therefore, it enables highly stable electron beam generation and high power, making it suitable for effectively melting powders or materials.

The AN-9020 is well-suited for high precision and multi-layer processes, and it finds applications in various fields, including test equipment, vacuum deposition equipment, semiconductor equipment, and optical equipment.



* Can be used in conjunction with ORIGIN's ISA-7000 product.

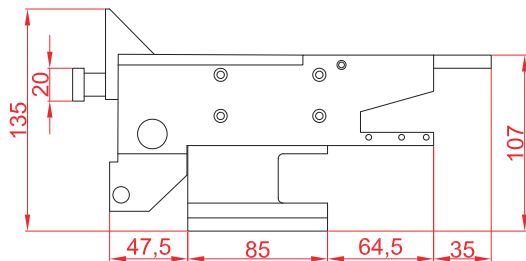
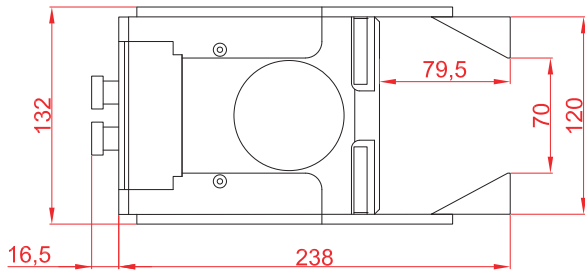
* The configuration consists of a single electron gun, and the crucible is sold separately.

* Some layouts may not be installable, so please inquire before placing an order.

* We cannot guarantee the product's performance when used in combination with products from other manufacturers.

External Dimensions

(Unit: mm)



Technical Specifications

Model	AN-9020
Application	Metal films
Beam deflection angle	270°
Maximum output power	16KW
Accelerating voltage	-800Vdc
Beam deflection adjust	Deflection adjust bar
Beam deflection current	N/A
Deflection max frequency	N/A
Beam scanning current X axis	N/A
X axis scanning max frequency	N/A
Beam scanning current Y axis	N/A
Y axis scanning max frequency	N/A
Operation pressure	2Kg / cm ²
Cooling water flow rate	5 to 8 L/min
Fillament current	50A
Ground	Lees than ground resistantce 10 ohm
External dimensions (Unit: mm)	132 (W) X 273 (D) X 135 (H)
Weight	Approximately 11kg



180°

AN-9010

Bestselling product from the 180° E-Gun series

The AN-9010 has the characteristic of enabling deposition with a very uniform density during the deposition process.

Easy maintenance

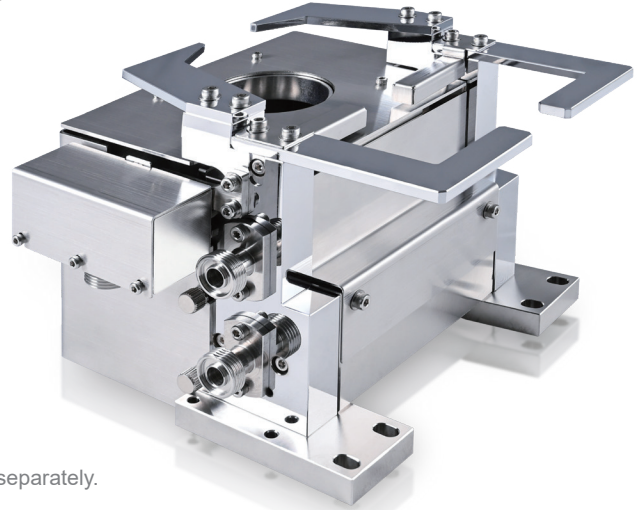
- Easy-to-clean design
- Filament replacement possible from the top
- Filament socket can be detached from the top
- Easy filament replacement

* Can be used in conjunction with ORIGIN's ISA-7000 product.

* The configuration consists of a single electron gun, and the crucible is sold separately.

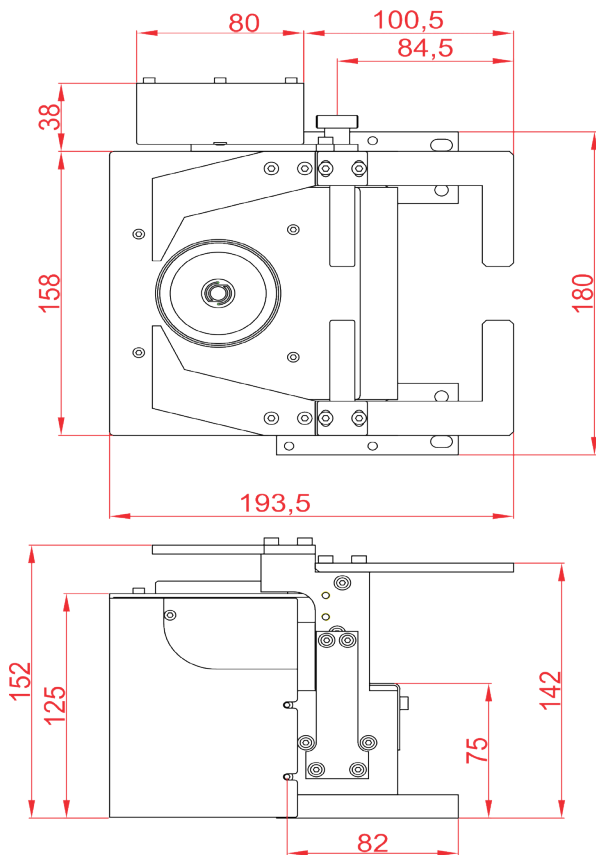
* Some layouts may not be installable, so please inquire before placing an order.

* We cannot guarantee the product's performance when used in combination with products from other manufacturers.



External Dimensions

(Unit: mm)



Technical Specifications

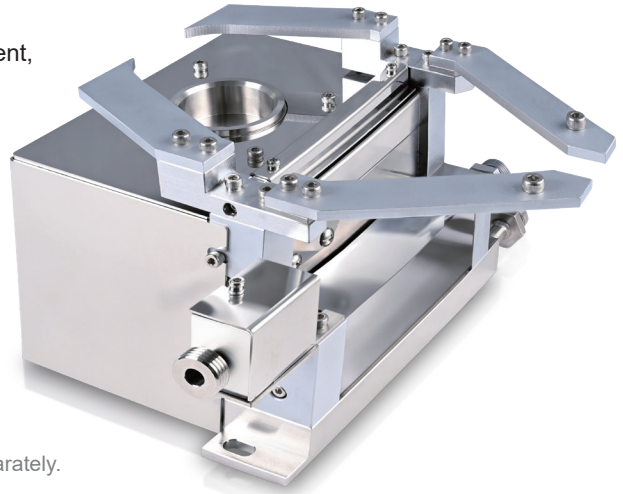
Model	AN-9010
Application	Oxide films & Metal films
Beam deflection angle	180°
Maximum output power	10KW
Accelerating voltage	-3000 to -10000Vdc
Beam deflection adjust	Electronmagnet
Beam deflection current	0 to 2A
Deflection max frequency	5KHz -3dB
Beam scanning current X axis	50Hz (X axis) Max output (10App, ±2Adc)
X axis scanning max frequency	8KHz -3dB
Beam scanning current Y axis	50Hz (Y axis) Max output (10App, ±2Adc)
Y axis scanning max frequency	8KHz -3dB
Operation pressure	2Kg / cm ²
Cooling water flow rate	5 to 8 L/min
Filament current	0 to 40A
Ground	Lees than ground resistance 10 ohm
External dimensions (Unit: mm)	194 (W) X 158 (D) X 152 (H)
Weight	Approximately 9kg



180° AN-9000

The AN-9000 is a 180° basic electron gun that melts powders or materials with a very stable beam and high power.

Therefore, it is applicable to test equipment, vacuum deposition equipment, semiconductor equipment, and optical equipment.



* Can be used in conjunction with ORIGIN's ISA-7000 product.

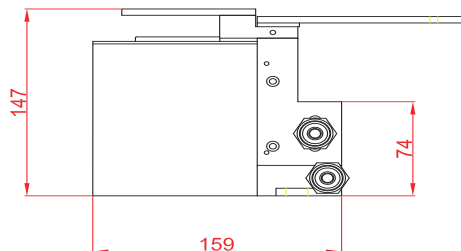
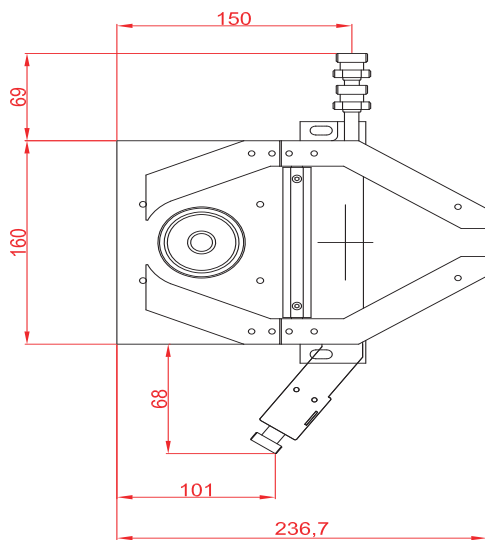
* The configuration consists of a single electron gun, and the crucible is sold separately.

* Some layouts may not be installable, so please inquire before placing an order.

* We cannot guarantee the product's performance when used in combination with products from other manufacturers.

External Dimensions

(Unit: mm)



Technical Specifications

Model	AN-9000
Application	Oxide films & Metal films
Beam deflection angle	180°
Maximum output power	10KW
Accelerating voltage	-3000 to -10000Vdc
Beam deflection adjust	Electronmagnet
Beam deflection current	0 to 2.5A
Deflection max frequency	5KHz -3dB
Beam scanning current X axis	60Hz (X axis) Max output (10App, ±2A _{dc})
X axis scanning max frequency	10KHz -3dB
Beam scanning current Y axis	60Hz (Y axis) Max output (10App, ±2A _{dc})
Y axis scanning max frequency	10KHz -3dB
Operation pressure	2Kg / cm ²
Cooling water flow rate	5 to 8 L/min
Fillament current	0 to 30A
Ground	Lees than ground resistantce 10 ohm
External dimensions (Unit: mm)	194 (W) X 158 (D) X 152 (H)
Weight	Approximately 9kg



90° AN-9101

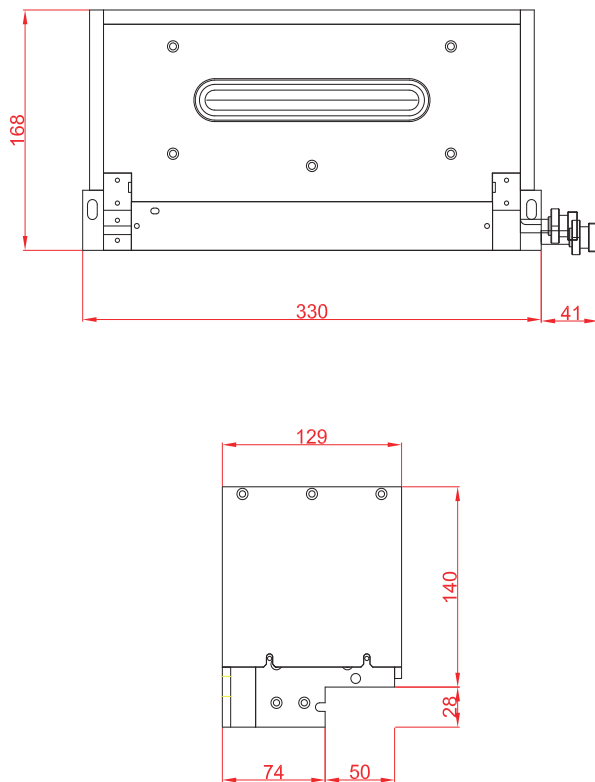
AN-9101 is capable of emitting a flat-shaped beam, making it effectively work for particle blocking.



- * Can be used in conjunction with ORIGIN's ISA-7000 product.
- * The configuration consists of a single electron gun, and the crucible is sold separately.
- * Some layouts may not be installable, so please inquire before placing an order.
- * We cannot guarantee the product's performance when used in combination with products from other manufacturers.

External Dimensions

(Unit: mm)



Technical Specifications

Model	AN-9101	
Application	Flat beam emit & Particle blocking	
Beam deflection angle	90°	180°
Maximum output power	3KW	
Accelerating voltage	-1000 to -10000Vdc	
Beam deflection adjust	N/A	Electronmagnet
Beam deflection current	N/A	0 to 2.5A
Deflection max frequency	N/A	2KHz -3dB
Beam scanning current X axis	N/A	60Hz (X axis) Max output (10App, ±2Adc)
X axis scanning max frequency	N/A	3KHz -3dB
Beam scanning current Y axis	N/A	60Hz (Y axis) Max output (10App, ±2Adc)
Y axis scanning max frequency	N/A	3KHz -3dB
Operation pressure	2Kg / cm ²	
Cooling water flow rate	5 to 8 L/min	
Fillament current	0 to 30A	
Ground	Lees than ground resistance 10 ohm	
External dimensions (Unit: mm)	330 (W) X 168 (D) X 129 (H)	
Weight	Approximately 18kg	



Electron Gun Related Parts

* For more detailed information, please visit our website.

Feed Through Series



High voltage feed through
Applicable models
9000, 9010, 9020, 9030



Low voltage feed through
Applicable models
9000, 9010, 9020, 9030



Cooling water feed through
Applicable models
9000, 9010, 9020, 9030

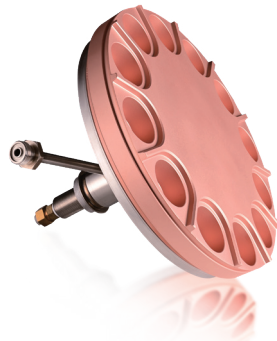


Gas feed through
Applicable models
9000, 9010, 9020, 9030

Crucible Series



Applicable models
9000, 9010, 9020, 9030



Applicable models
9000, 9010, 9020, 9030

Crucible Liner Series



Applicable models
9000, 9010, 9020, 9030



Applicable models
9000, 9010, 9020, 9030



Applicable models
9000, 9010, 9020, 9030

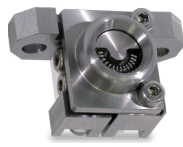
Filament Socket Series



Applicable models
9000



Applicable models
9010

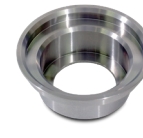


Applicable models
9030

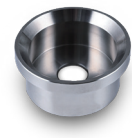
Grid Series



Applicable models
9030



Applicable models
9030



Applicable models
9000, 9010

Filament Series

20 EA / Box



0.55 Ø
Applicable models
9000, 9010, 9020

20 EA / Box



0.8 Ø
Applicable models
9000, 9010, 9020

20 EA / Box



0.55 Ø
Applicable models
9000, 9010, 9020

20 EA / Box



0.8 Ø
Applicable models
9000, 9010, 9020

20 EA / Box



0.55 Ø
Applicable models
9030

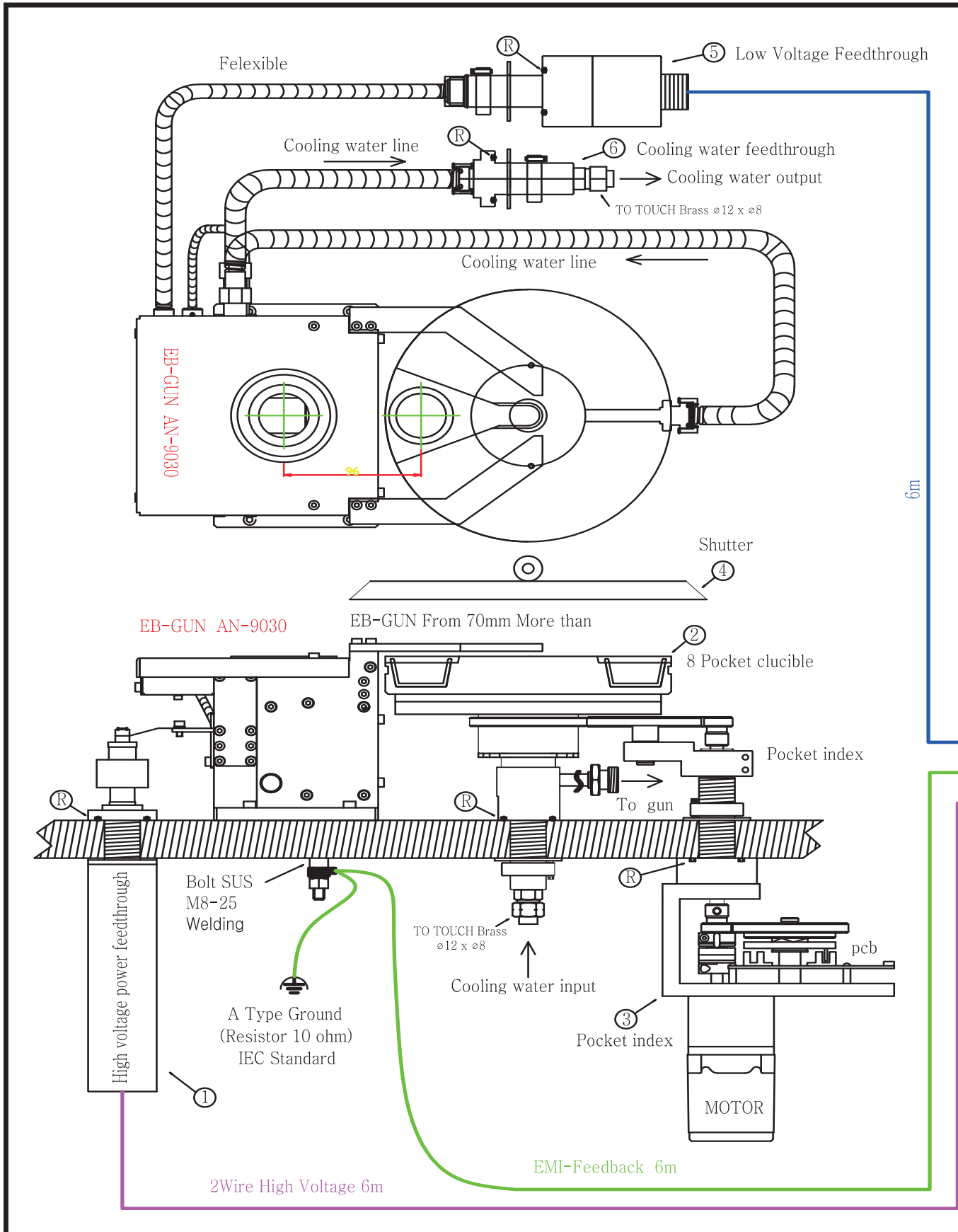
20 EA / Box



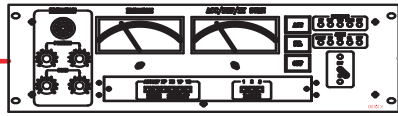
0.8 Ø
Applicable models
9030



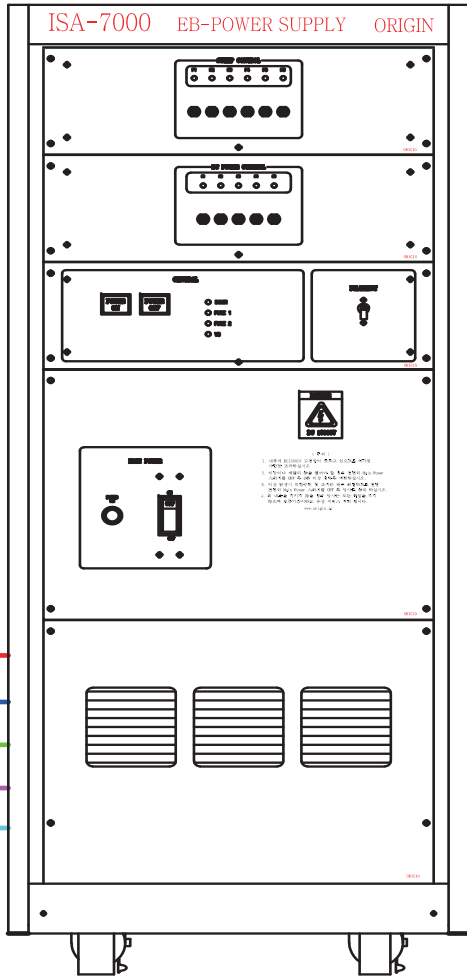
E-Beam Source Wiring Diagram



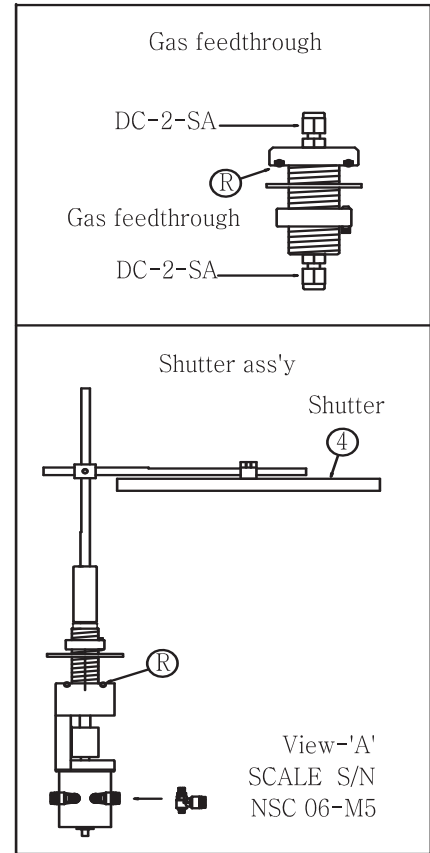
OPERANTION CONTROLLER



Dimensions (mm)
483(w) X 350(d) X 177(h)




Dimensions (mm)
580(w) X 860(d) X 1415(h)



NOTE:

Ⓡ Feed through O-Ring .

 ORIGIN						NAME	ISA-7000 E-BEAM SOURCE WIRING		
SCALE	1/X NTS	DRAWN	DESIGE	CHECK	APPR	TIT. PRJ.	OD-0000-0002-7		
UNIT	X	GI SEON BANG	GI SEON BANG	YU HYUN BANG	GI SEON BANG	DWG. NO.	PART NO	REV	SHT NO
DATE	2019-06-05 ~ 2023-07-28	BANG	BANG	BANG	BANG		2023728_21_Attch_AN9030+ISA7000		



Ion Gun Power Supply

ISA-8000

Features

The ISA-8000 features fast response and precision control, over-current protection, constant voltage circuits and short circuit protection circuits as safety devices, and displays the internal operating status as a lamp (LED) for easy maintenance. Analog meters, various control switches, and lamps to check control are displayed on the front to prevent malfunction of the equipment.

ISA-8000 is applicable to electronic beam coating equipment, vacuum cleaning equipment, resistance heating coating equipment, and vacuum testing equipment.

* Can be used in conjunction with ORIGIN's AN-9500 product.

* Some layouts may not be installable, so please inquire before placing an order.

* We cannot guarantee the product's performance when used in combination with products from other manufacturers.



Power supply unit



Operation controller

Technical Specifications

Power (Energy)	4KW
Output emission current	0 to 16Adc
Output anode voltage	0 to 250Vdc
Output anode current	0 to 16Adc
Output filament current	0 to 50A
Line power	1-phase 220Vac 50Hz/60Hz 4KVA 10%
Working timer	0 to 9999 sec, Minute adjust
Operation controller switch	Power on/off, System start, Gas on, System/Gas off, Int/Ext, Working timer adjust, Anode adjust, Filament adjust
Operation controller-display analog meter	Anode voltage, Anode/Emi current, Neutral/Filament current
Operation controller display lamp	Int/Ext, Anode/Emi, Neutral/Filament, System start, Gas on, Gas off, Working timer
Nonlinearity	Nonlinearity $\pm 2.5\%$ FS
Operation controller dimensions (Unit: mm)	485 (W) X 400 (D) X 178 (H)
Power supplies dimensions (Unit: mm)	600 (W) X 600 (D) X 560 (H)
Vibration in the workspace	Approx X,Y,Z < 0.2G Less than
Operating temperation & Humidity	17 to 25°C, 20 to 70% RH
Weight	Approximately 80Kg



90° AN-9500

The AN-9500 is a high-quality ion gun manufactured with top-grade materials and precision processing, distinguishing it from competitors. This product is designed with the End-hole method to ensure a long component lifespan and features fast response and precise control, characteristic of an ion gun.

The AN-9500 is applicable in various fields, including electronic beam coating equipment, vacuum cleaning equipment, resistance heating coating equipment, and vacuum testing equipment.



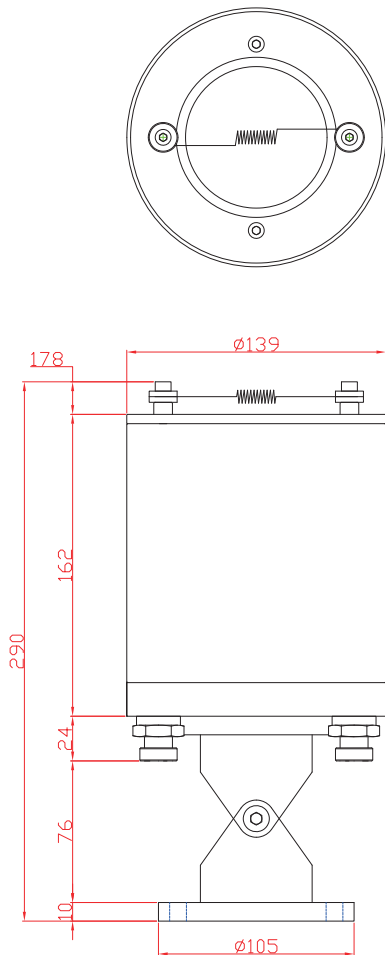
* Can be used in conjunction with ORIGIN's AN-8000 product.

* Some layouts may not be installable, so please inquire before placing an order.

* We cannot guarantee the product's performance when used in combination with products from other manufacturers.

External Dimensions

(Unit: mm)



Technical Specifications

Model	AN-9500
Application	Etching, Auxiliary deposition, Cleaning
Maximum output power	4KW
Beam emission angle range	90°
Gun type	End holl
Output emission current	0 to 16Adc
Output anode voltage	0 to 250Adc
Output anode current	0 to 16Adc
Gun body angle adjust range	-50° to 50°
Operation pressure	2Kg / cm ²
Cooling water flow rate	5 to 8 L/min
Fillament current	0 to 50A
Ground	Lees than ground resistantce 10 ohm
External dimensions (Unit: mm)	140 (D) X 305 (H)
Weight	Approximately 8kg



Ion Gun Related Parts

* For more detailed information, please visit our website.

Feed Through Series



Power feed through



Cooling water feed through



Gas feed through

Insulator Series



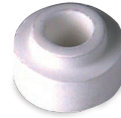
95 (H) X 18 (Ø) X 6 (Ø)



13 (H) X 13 (Ø) X 7 (Ø)



9 (H) X 13 (Ø) X 5 (Ø)



6 (H) X 10 (Ø) X 4 (Ø)

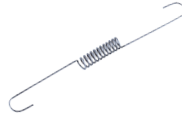
Filament Series

50 EA / Box



0.55 Ø

50 EA / Box



0.8 Ø



Cooling Series



500mm

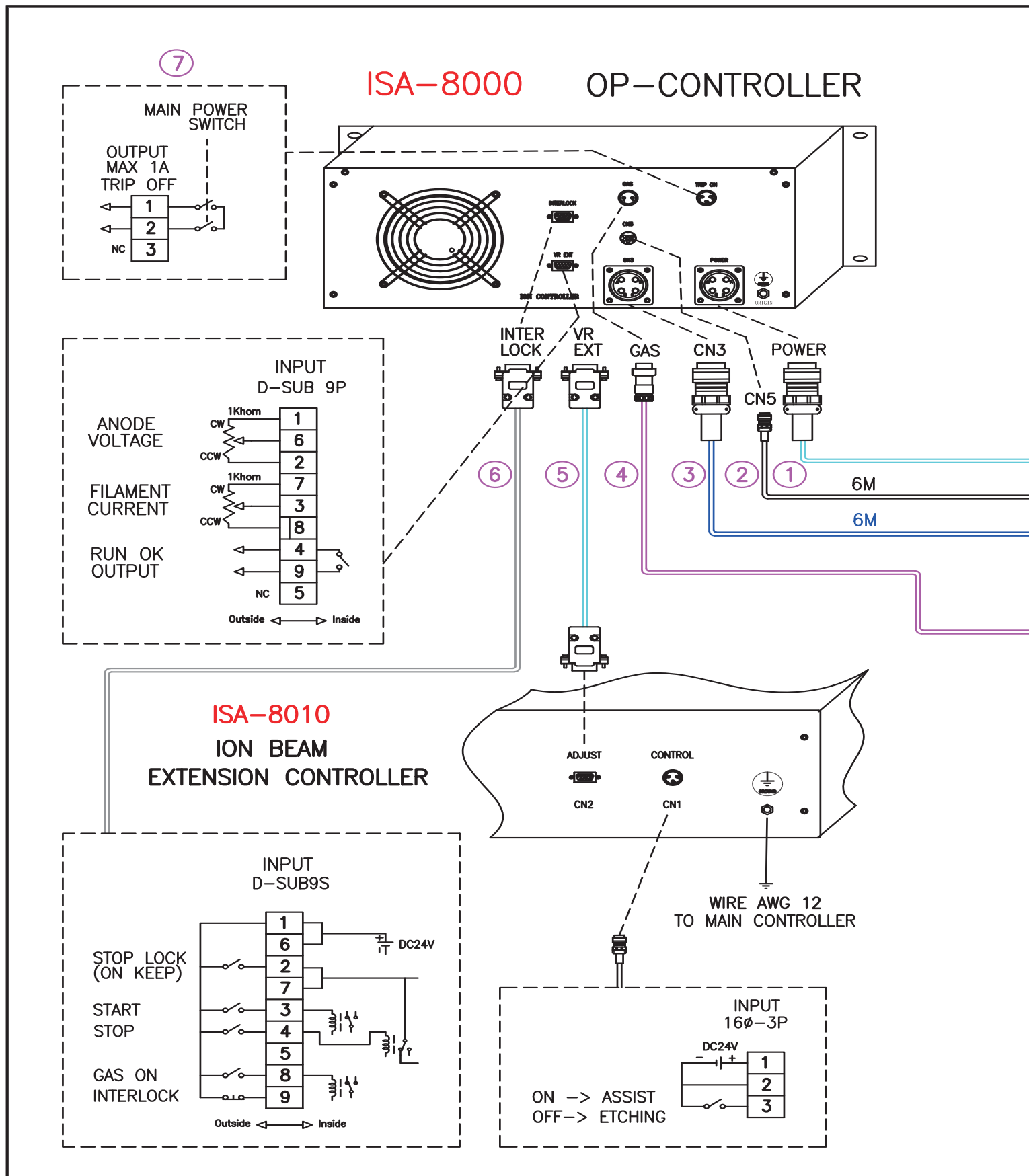


600mm

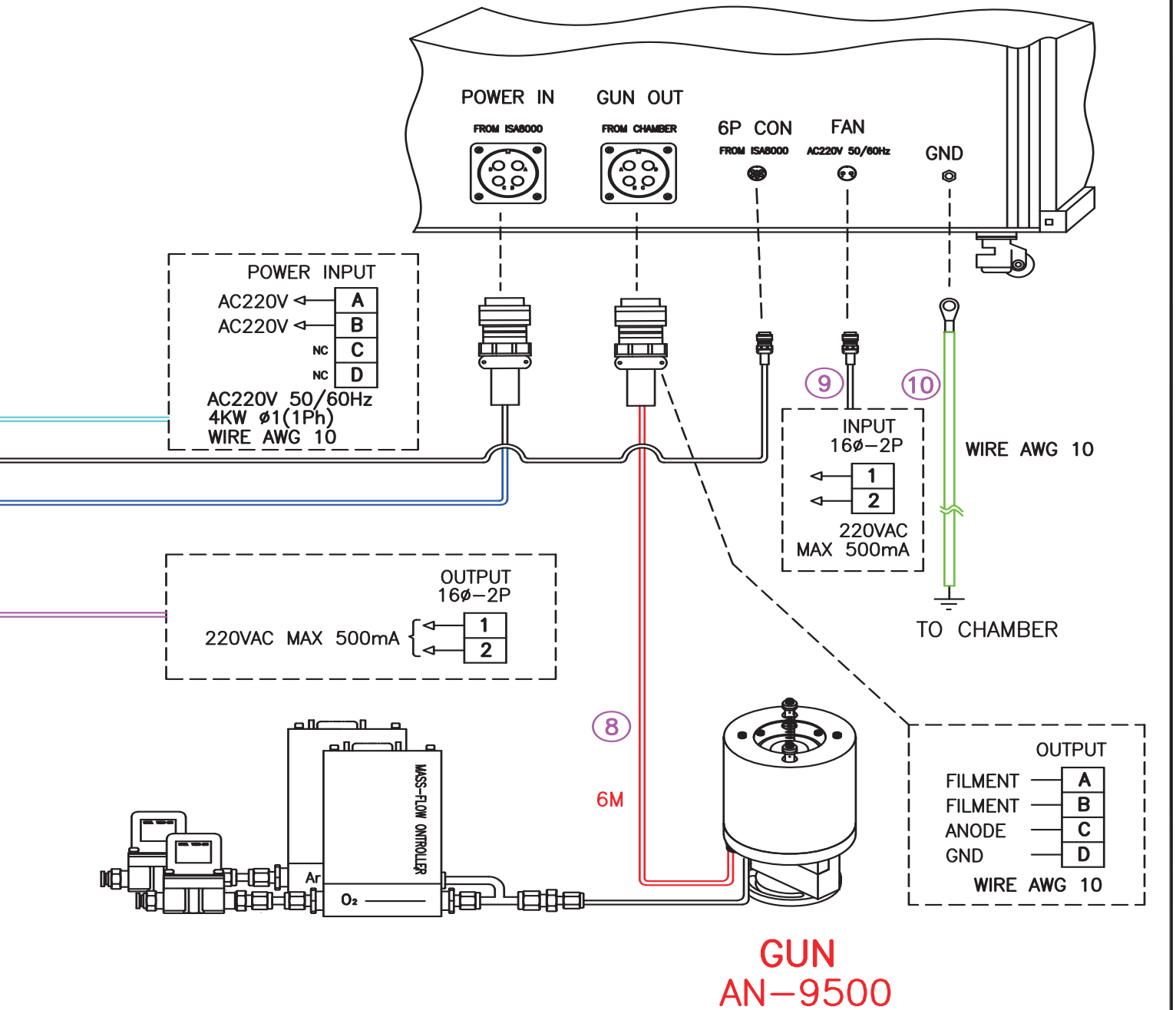
Etc Series



Ion-Beam Source Wiring Diagram



ISA-8000 MAIN POWER



<b style="font-size: 1.2em;">ORIGIN						NAME ISA-8000 ION-BEAM SOURCE WIRING				
SCALE	$\frac{N}{X}$	NTS	DRAWN	DESIGE	CHECK	APPR	TIT. PRJ.	□□-0000-0019-11		
UNIT	X		BANG GI SEON	BANG GI SEON	BANG YU HYUN	BANG GI SEON	DWG. NO.	PART NO 20230728_12_Attch_ISA8000+AN9500	REV	SHT NO
DATE	2019_06_10 ~ 2023_07_28									



PVD Equipment Series

Features

ORIGIN's PVD equipment series is a precision PVD optical multilayer thin film vacuum deposition equipment. This equipment is applicable in various research and experimentation fields, including thin film deposition, optical lens production, filter production, window production, semiconductor production, advanced material development, material synthesis, material isolation, ion cleaning, ion-assisted deposition, vacuum electron beam welding, and more.

Furthermore, this equipment is designed with the latest technology to achieve high productivity and product quality improvement.

It consists of a vacuum chamber, vacuum pump, cooling device, electrical control, pneumatic control, vacuum pressure control, deposition film thickness control, gas flow control, E-beam Source (Including E-Gun, E-Gun power supply, Crucible, and Crucible liner), and Ion-beam source (Including Ion-Gun and Ion-Gun power supply).

* ORIGIN's product, PVD Equipment Series, can be custom-produced upon request.

* Some layouts may not be installable, so please inquire before placing an order.

* We cannot guarantee the product's performance when used in combination with products from other manufacturers.

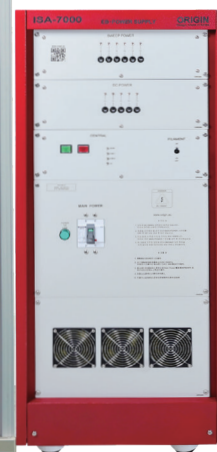
OC-1700



OE-1700E



ISA-7000



ISA-8000



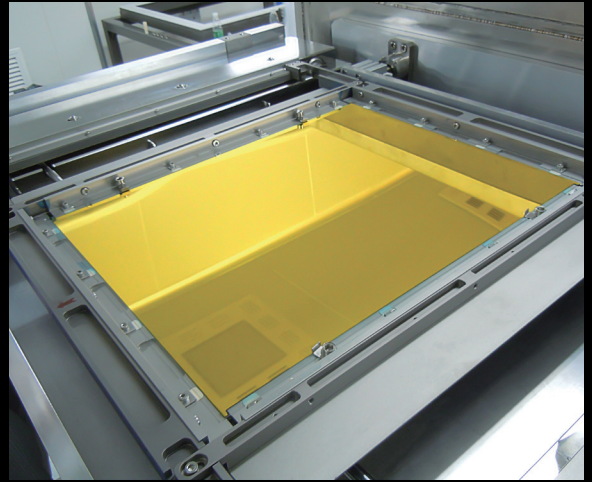
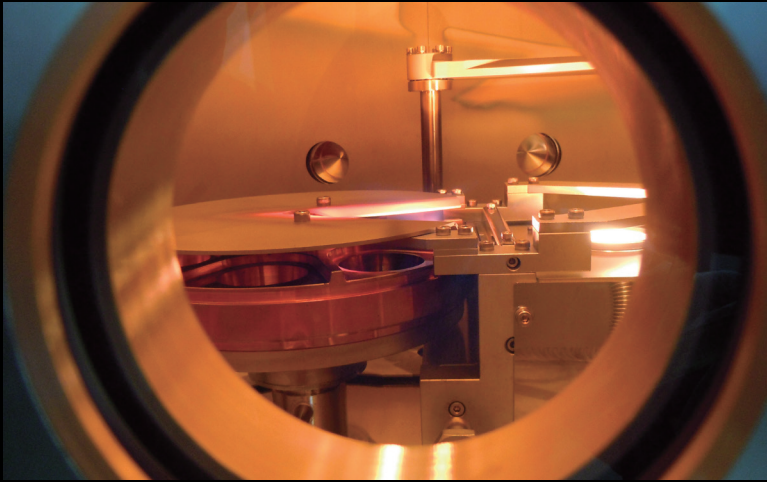
Technical Specifications

Chamber inside dimensions (Unit: Ø)	600, 750, 1200, 1500, 1600, 2000, 2050 or Option
EB-power supplies	ISA-7000 or Option (Customization available for orders)
Crucible	1, 4, 8, 12, Etc pocket to 25cc or Option
Ion-power supplies	ISA-8000 or Option (Customization available for orders)
Chamber main material & Coating jig	SUS304 & Substrate rotation system or Option
View port	150 Diameter tempered glass include shutter, 1 to 3 Port or Option
Uniformity mask	Connector type SUS alloy
Vacuum measuring	“Granville-phillips” GP-307 or Option
Deposition controller	“Inficon” IC-6 or Option
Chamber inside shield	Separation type SUS alloy
Gas supplies	2 to 3 MFC purity 99.9%
Pressure control, Coating control	Auto, Manual
Pressure (Approximately)	Ultimate 6.0E-7 Torr, Working 2.0E-5 Torr
High vacuum pump	Option
Booster vacuum pump	Option
Rotary vacuum pump	Option
Poly cold	Option
Substrate heater	Halogen heater or Option
Main controller	Option
Line power	220Vac and 380Vac 3ph 50Hz / 60Hz ±5% Approximately 80KVA
Nonlinearity	±2% FS
Vibration in the workspace	Approximately X,Y,Z < 0.2G Less than
Operating temperation & Humidity	17 to 25°C, 20 to 70% RH



APPLIED





About us



Engineered
Made
In Korea

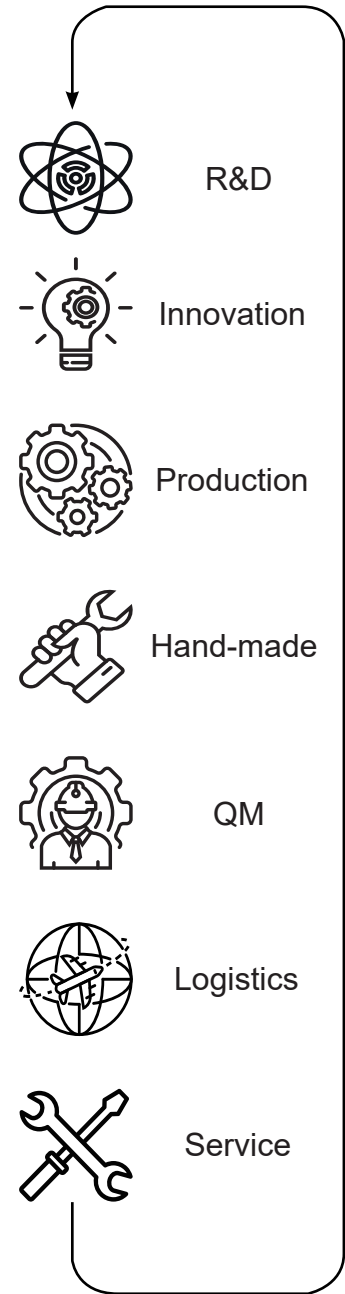
ORIGIN

“**Engineered in Korea**” is more than just a label with global significance. We highly value the local craftsmanship, which is why we strive to source all our processed materials and assemblies from specialized partners in Korea. From the first design sketch and prototype to the final product, every component bearing the ORIGIN brand name is entirely self-developed and meticulously assembled by highly skilled technicians. We consistently produce valuable and long-lasting high-quality products without exception.

Since its foundation in 1992, ORIGIN has developed its core components based on innovation and creativity. All ORIGIN employees do their best for differentiated quality and high customer satisfaction. In addition, ORIGIN is not satisfied with simply selling products, but is proud of providing customers with special experiences, impressions, and economic benefits.

The ORIGIN R&D team consists of experienced experts and is paying attention to the development of independent intellectual property rights and unique technologies. Therefore, equipment enhancement, safety, convenience, efficiency, service, and product life can be greatly improved.

The ORIGIN production team consists of skilled technicians talented in designing, testing, processing, welding, and assembling powerfully. The technical performance of the products produced by ORIGIN always maintains the lead in Korea.



The strengths of **ORIGIN**

First, ORIGIN possesses core technology, maintaining high proficiency by staying abreast of and implementing the latest technological trends.

Second, key components for equipment produced by ORIGIN, including PCBs, as well as the design, R&D, and production of all products, are under the direct management and design of the company's CEO. Moreover, ORIGIN stands as the sole entity in the Korean industry capable of in-house design, R&D, and production, enabling customized orders and prompt after-sales service for customers.

Third, all equipment undergoes meticulous imaging using ultra-high-resolution cameras before shipment, facilitating swift resolution in case of any issues with the products.

Fourth, each piece of equipment is affixed with a unique serial number, ensuring rapid and accurate product management and response in case of problems.

ORIGIN has endeavored to secure a leading position in the field by providing creative and innovative solutions differentiated from other companies.

As a result of these efforts, ORIGIN has directly delivered hundreds of equipment to Vietnam's Samsung, Foxconn, Huawei, and Vivo, or through official Chinese ORIGIN agencies.

Currently, our equipment is widely used in various fields such as semiconductors, optics, LEDs, automobiles, digital technology, architecture, pharmaceuticals, and safety.

The special experiences and impressions that ORIGIN gives customers are unique values that even the financial crisis and pandemic can overcome.

Based on ORIGIN's long accumulated technology, experience, and investment in new technology development, we will always provide customers with special experiences, impressions, and economic benefits.

Owner-run family business.

As a Bang family company, we are not subject to corporate cost pressure, but when selecting materials and components, we focus on quality that inspires.



Looking for top-performing products in your company? Check out ORIGIN

CODE P1004 - BSB ORIGIN



“

The mission of ORIGIN is to provide exceptional experiences and inspirations through innovation and developing outstanding products. Based on our extensive experience in the PVD industry, we have been recognized for our excellent capabilities and have successfully applied them to new application environments, such as the semiconductor industry, optical industry, and defense industry.

”

Bang Gi Sun, owner and chief developer of **ORIGIN**



More
Information



Engineered
Made
In Korea



The headquarters of ORIGIN in Korea
(309~310 Room) 301, Bupyeong-daero,
Bupyeong-gu, Incheon, Republic of Korea
yhbang@origin.ac
www.origin.ac

The official distributor of ORIGIN in China
Nine-color deer, Ginkgo Road, Development
Zone, Danyang City, Jiangsu Province
18352891800@163.com
www.bividus.cn